

Light in Weight, **STRONG** in Performance

INTRODUCING! Fontaine Fifth Wheel **6NWB** Air Slide Assemblies



A direct replacement for
lightweight NTLWO now
with proven 6000 Series
top plate and optimized
slide base design!


FONTAINE[®]
FIFTH WHEEL

www.fifthwheel.com • 800-874-9780

Light Weight Air Slide Assemblies

Standard duty on-highway applications

No-Slack® II 6000 NWB Air Slide Assembly



No-Slack® II 6NWB assembly
50,000 pounds vertical load.
150,000 pounds drawbar pull.

Part Number	Fifth Wheel Height	Slide Length	Weight
SL6NWB675012	6-3/4"	12"	387 lbs
SL6NWB675016		16"	395 lbs
SL6NWB675024		24"	406 lbs
SL6NWB775012	7-3/4"	12"	394 lbs
SL6NWB775016		16"	401 lbs
SL6NWB775024		24"	412 lbs
SL6NWB875012	8-3/4"	12"	401 lbs
SL6NWB875016		16"	408 lbs
SL6NWB875024		24"	419 lbs

Typical left hand model shown in chart.

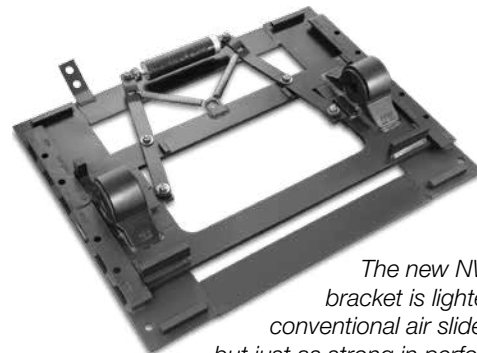
Options

- Right hand (replace **SL** with **SR**)
- Air actuated (replace **SL** with **AA**): add 5 lbs

Features

Smart fleet managers look for every conceivable way to cut the weight of their equipment without cutting reliability or durability. They know that every pound saved can give them a competitive advantage. Plus, it's loaded with important features that make it even more attractive to fleet and owner operator customers.

- Uses #1 selling 6000 Series top plate
- 40-70 lbs lighter than competitive slide systems
- Lightest steel slide system available – helps fleets offset heavy emission system components
- Improved fuel economy and low up-charge make the NWB very attractive to weight-sensitive, cost-conscious fleets



The new NWB air slide bracket is lighter than conventional air slide models, but just as strong in performance! The NWB combines proven components with lightweight features into one cost-effective product.