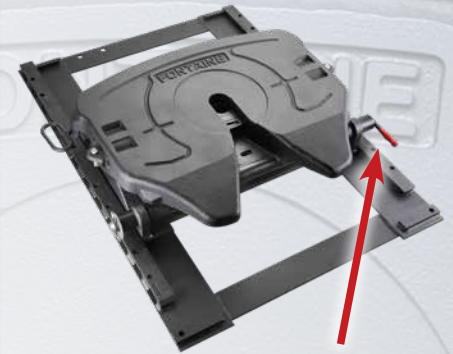


# No-Tilt (Blocked) Fifth Wheels

## BLH7AWB No-Tilt (Blocked) air slide fifth wheels complete assemblies

H7 Blocked AWB Part Number	Fifth Wheel Height*	Slide Length	Weight	H7 Blocked AWB Part Number	Fifth Wheel Height	Slide Length	Weight
BLH7AWB775012	7-3/4"	12"	602 lbs	BLH7AWB975012	9-3/4"	12"	620 lbs
BLH7AWB775016		16"	610 lbs	BLH7AWB975016		16"	628 lbs
BLH7AWB775024		24"	622 lbs	BLH7AWB975024		24"	640 lbs
BLH7AWB775036		36"	642 lbs	BLH7AWB975036		36"	660 lbs
BLH7AWB775048		48"	669 lbs	BLH7AWB975048		48"	687 lbs
BLH7AWB875012	8-3/4"	12"	611 lbs	BLH7AWB1075012	10-3/4"	12"	643 lbs
BLH7AWB875016		16"	619 lbs	BLH7AWB1075016		16"	651 lbs
BLH7AWB875024		24"	631 lbs	BLH7AWB1075024		24"	663 lbs
BLH7AWB875036		36"	651 lbs	BLH7AWB1075036		36"	683 lbs
BLH7AWB875048		48"	678 lbs	BLH7AWB1075048		48"	710 lbs



Removing blocking bar converts "No-Tilt" blocked fifth wheel to standard fifth wheel that can tilt.

### Replacement Bar (For AWB and PS5 Brackets)

Replacement bar for Blocked H5092 and H7 top plate. . . . . BAR-396-BK  
(For BLHAWB, BLHMWS and BLHPSA brackets)

## BLH7PS5 No-Tilt (blocked) plate mount fifth wheel complete assemblies

H7 Blocked PS5 Part Number	Fifth Wheel Height	Weight
BLH7PS58375	8-3/8"	509 lbs
BLH7PS59375	9-3/8"	514 lbs
BLH7PS510375	10-3/8"	521 lbs
BLH7PS511375	11-3/8"	528 lbs



Removing blocking bar converts "No-Tilt" blocked fifth wheel to standard fifth wheel that can tilt.

## NHDS No-Tilt (Blocked) air slide fifth wheel complete assemblies

7000 HDS Part Number	H7 HDS Part Number (Add 70 lbs)	Fifth Wheel Height	Slide Length	7000 Weight	7000 HDS Part Number	H7 HDS Part Number (Add 70 lbs)	Fifth Wheel Height	Slide Length	7000 Weight
SL7NHDS700012	SLH7NHDS700012	7"	12"	500 lbs	SL7NHDS700048	SLH7NHDS700048	7"	48"	581 lbs
SL7NHDS800012	SLH7NHDS800012	8"		507 lbs	SL7NHDS800048	SLH7NHDS800048	8"		589 lbs
SL7NHDS900012	SLH7NHDS900012	9"		516 lbs	SL7NHDS900048	SLH7NHDS900048	9"		598 lbs
SL7NHDS100012	SLH7NHDS100012	10"		526 lbs	SL7NHDS100048	SLH7NHDS100048	10"		608 lbs
SL7NHDS700024	SLH7NHDS700024	7"	24"	522 lbs	SL7NHDS700060	SLH7NHDS700060	7"	60"	603 lbs
SL7NHDS800024	SLH7NHDS800024	8"		530 lbs	SL7NHDS800060	SLH7NHDS800060	8"		611 lbs
SL7NHDS900024	SLH7NHDS900024	9"		539 lbs	SL7NHDS900060	SLH7NHDS900060	9"		620 lbs
SL7NHDS100024	SLH7NHDS100024	10"		548 lbs	SL7NHDS100060	SLH7NHDS100060	10"		630 lbs
SL7NHDS700036	SLH7NHDS700036	7"	36"	552 lbs	SL7NHDS700072	SLH7NHDS700072	7"	72"	626 lbs
SL7NHDS800036	SLH7NHDS800036	8"		560 lbs	SL7NHDS800072	SLH7NHDS800072	8"		634 lbs
SL7NHDS900036	SLH7NHDS900036	9"		569 lbs	SL7NHDS900072	SLH7NHDS900072	9"		643 lbs
SL7NHDS100036	SLH7NHDS100036	10"		578 lbs	SL7NHDS100072	SLH7NHDS100072	10"		653 lbs



## NPMH & NPMX No-Tilt (blocked) plate mount fifth wheel complete assemblies

### NPMH 39 1/2" wide (37 1/4" bolt centers)

7000 PMH Part Number	H7 PMH Part Number (Add 70 lbs)	Fifth Wheel Height	Bolt Centers	7000 Weight
SL7NPMH7500	SLH7NPMH7500	7-1/2"	37-1/4"	395 lbs
SL7NPMH8500	SLH7NPMH8500	8-1/2"		404 lbs
SL7NPMH9500	SLH7NPMH9500	9-1/2"		414 lbs

### NPMX 40 1/2" wide (38" bolt centers)

7000 PMX Part Number	H7 PMX Part Number (Add 70 lbs)	Fifth Wheel Height	Bolt Centers	7000 Weight
SL7NPMX7500	SLH7NPMX7500	7-1/2"	38"	402 lbs
SL7NPMX8500	SLH7NPMX8500	8-1/2"		407 lbs
SL7NPMX9500	SLH7NPMX9500	9-1/2"		417 lbs



Simply disengage the four stops to switch from a No-Tilt to a rocking fifth wheel. Quick. Easy. NO TOOLS.

